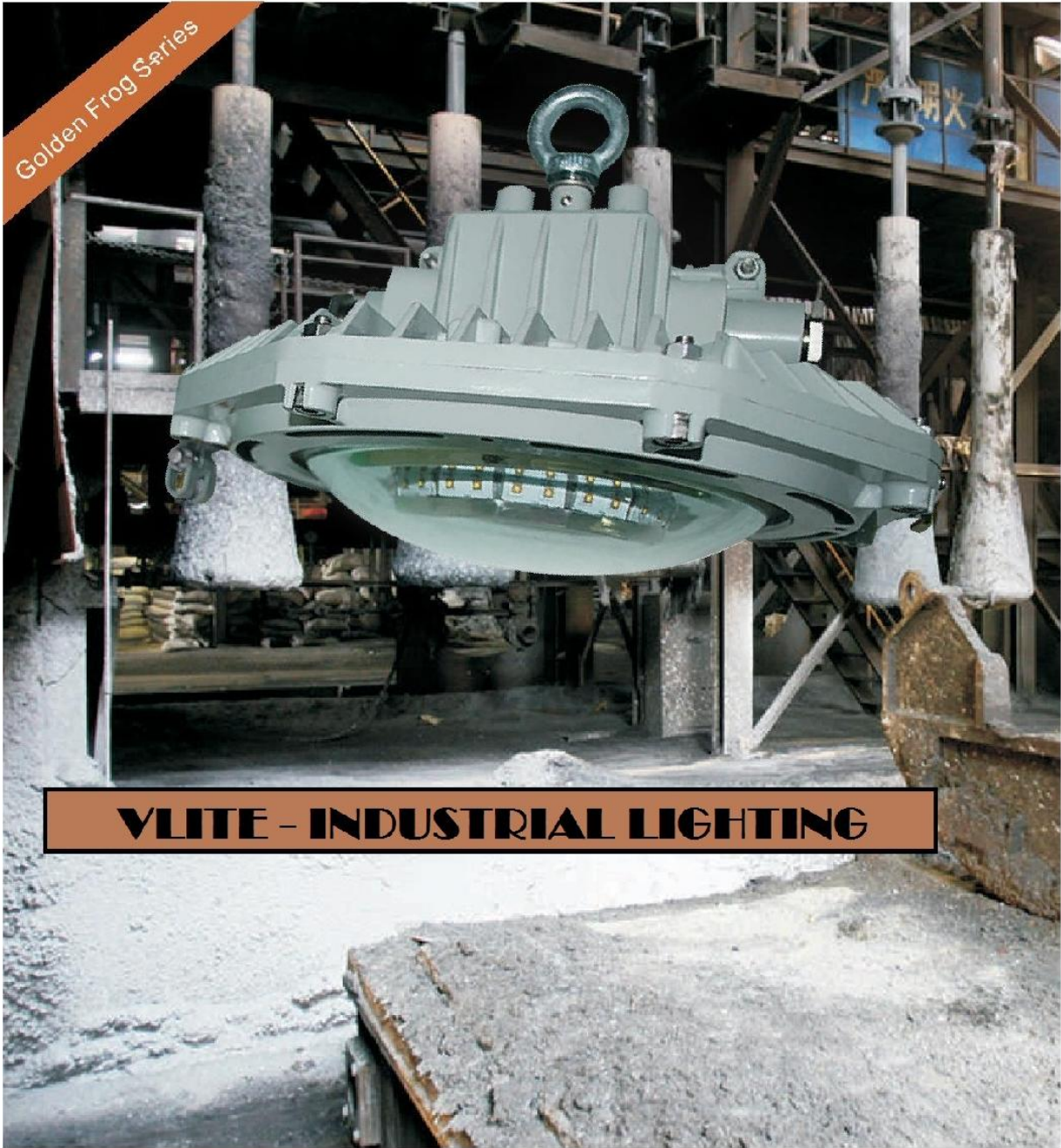


Golden Frog Series



VLITE - INDUSTRIAL LIGHTING

V2.0

★ LED Flood Light-Golden Frog Series

Features and benefits

1. Energy saving. Reduce the number of luminaires you need, providing excellent luminaires efficiency-more light where you need it.
2. Anti-glare, reduces glare in applications where the user may have direct visual contact with the light source.
3. Shock- and vibration-resistant- tempered glass , reduces the risk of premature failure.
4. Osram led source. High efficiency lumen output and high CRI.
5. Driver module assembly -High efficiency LED drivers are designed to provide reliable operation in even the harshest environments.
6. High-strength aluminum alloy housing, can endure 20J impact. Ip66, can be used wet locations-robust construction suitable corrosive applications.
7. Ambient suitability for -40° C to 55° C

Application:

- Suitable for many indoor and outdoor locations, such as metallurgy laneway, large-scale cable trench, cement plants, power station and moist vibration locations



★ CHARACTERISTIC DETAILS

VUTE



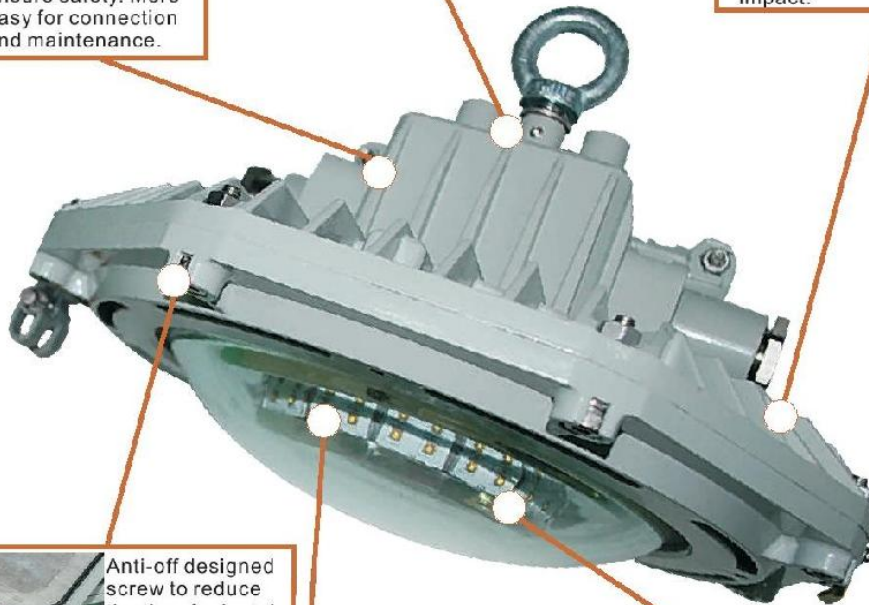
Terminal compartment is isolated with the led source compartment. Enhance isolation, ensure safety. More easy for connection and maintenance.



Installation loop is designed with Anti-off Set screw to make sure the safety. Perfect heat sink design, providing an efficient thermal path to the heat sink assembly.



Explosion proof aluminium alloy enclosure, high performance of anti-impact. Can endure 20J impact.



Anti-off designed screw to reduce the time for installation and maintenance.

OSRAM LED source, high efficiency and lumen output.



The led is clung to the enclosure, which can make the heat sink very fast, low down the junction temp.



Characteristic details

★ PERFORMANCE PARAMETER

VLITE

Electrical parameter

Product type	P/N			Rated input voltage(V AC)	Rated input current (A)	Voltage frequency(Hz)	Rated power(W)	Input current(mA)	PF
KGF30	KGFF30WM	KGFF30NH	KGFF30CH	100~240	0.25	50/60	30	310	>0.90
	KGFB30WM	KGFB30NH	KGFB30CH	100~240	0.25	50/60	30	310	>0.90
	KGFS30WM	KGFS30NH	KGFS30CH	100~240	0.25	50/60	30	310	>0.90
KGF60	KGFF60WM	KGFF60NH	KGFF60CH	100~240	0.5	50/60	60	600	>0.90
	KGFB60WM	KGFB60NH	KGFB60CH	100~240	0.5	50/60	60	600	>0.90
	KGFS60WM	KGFS60NH	KGFS60CH	100~240	0.25	50/60	60	600	>0.90
	KGFF60NL-MC			100~240	0.25	50/60	60	600	>0.90

Photometric parameter

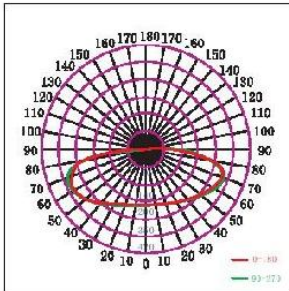
Product type	P/N	Color temp	CRI	CCT(K)	Luminous Flux(lm)	Candela Distribution
KGF30	KGFF30WM	Warm white	82	2800-3300	2400±10%	A
	KGFF30NH	Natural white	82	4700-5400	2700±10%	
	KGFF30CH	Cool white	70	6000-7100	2900±10%	
	KGFB30WM	Warm white	82	2800-3300	2400±10%	B
	KGFB30NH	Natural white	82	4700-5400	2700±10%	
	KGFB30CH	Cool white	70	6000-7100	2900±10%	
KGF60	KGFS30WM	Warm white	82	2800-3300	2400±10%	C
	KGFS30NH	Natural white	82	4700-5400	2700±10%	
	KGFS30CH	Cool white	70	6000-7100	2900±10%	
	KGFF60WM	Warm white	82	2800-3300	4100±10%	D
	KGFF60NH	Natural white	82	4700-5400	4500±10%	
	KGFF60CH	Cool white	70	6000-7100	4900±10%	
	KGFB60WM	Warm white	82	2800-3300	4100±10%	E
	KGFB60NH	Natural white	82	4700-5400	4500±10%	
	KGFB60CH	Cool white	70	6000-7100	4900±10%	
	KGFS60WM	Warm white	82	2800-3300	4100±10%	F
	KGFS60NH	Natural white	82	4700-5400	4500±10%	
	KGFS60CH	Cool white	70	6000-7100	4900±10%	
KGFF60NL-MC	Natural white	82	3600-4300	4500±10%	D	

Other parameters

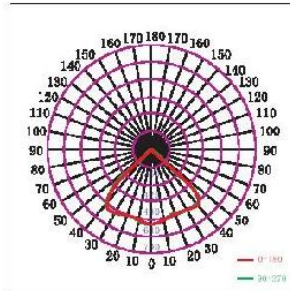
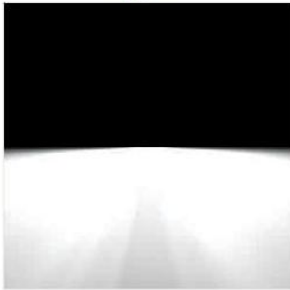
Product type	P/N			Size(mm)	Weight (Kg)	Ambient temp (°C)	IP Range	Insulation Range
KGF30	KGFF30WM	KGFF30NH	KGFF30CH	311×284×190	5.3	-40~+55	IP66	I
	KGFB30WM	KGFB30NH	KGFB30CH	311×284×190	5.5	-40~+55	IP66	I
	KGFS30WM	KGFS30NH	KGFS30CH	311×284×190	5.5	-40~+55	IP66	I
KGF60	KGFF60WM	KGFF60NH	KGFF60CH	311×284×190	5.3	-40~+55	IP66	I
	KGFB60WM	KGFB60NH	KGFB60CH	311×284×190	5.5	-40~+55	IP66	I
	KGFS60WM	KGFS60NH	KGFS60CH	311×284×190	5.5	-40~+55	IP66	I
	KGFF60NL-MC			311×284×190	5.5	-40~+55	IP66	I

★ CANDELA DISTRIBUTION

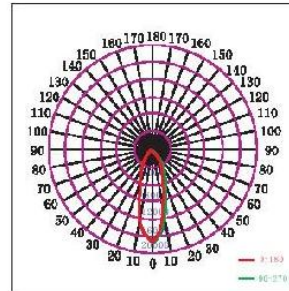
VLTTE



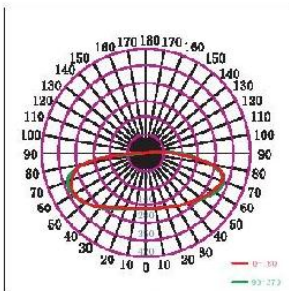
A



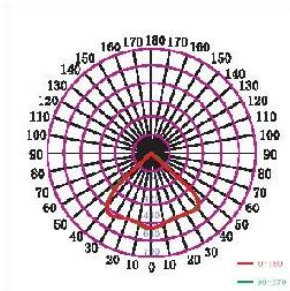
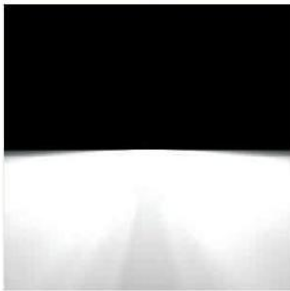
B



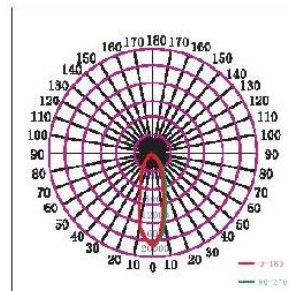
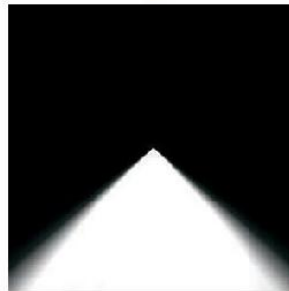
C



D



E



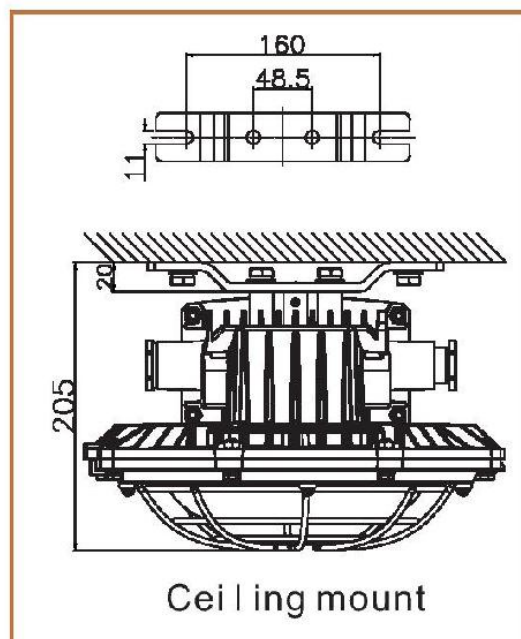
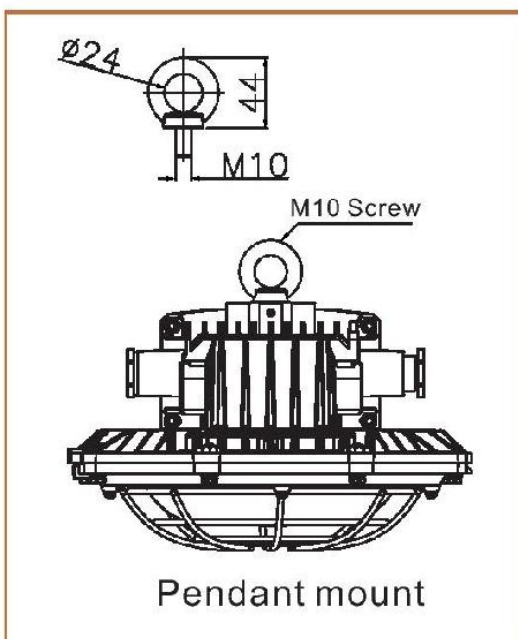
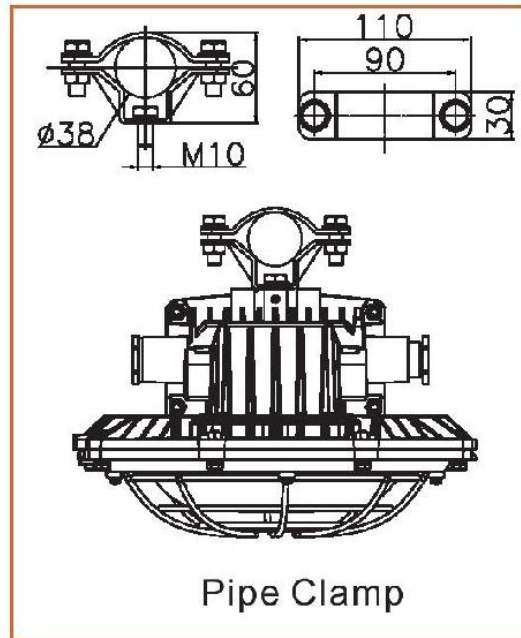
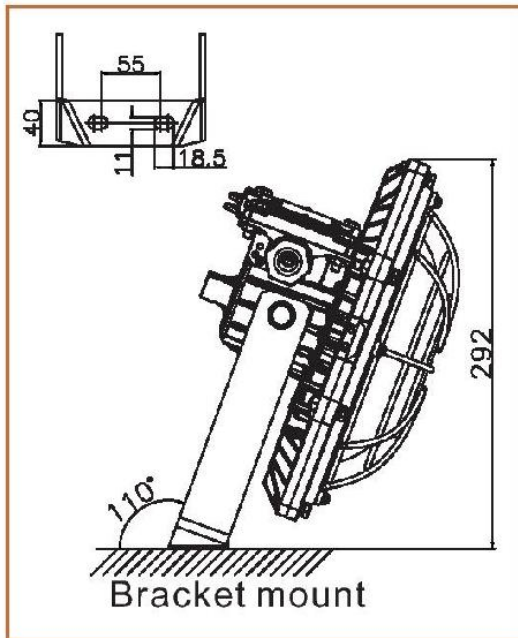
F



★ INSTALLATION METHOD

VUTE

Installation method

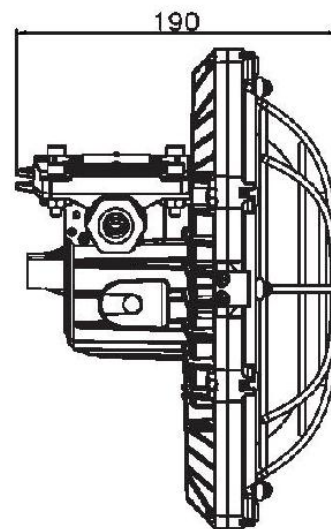
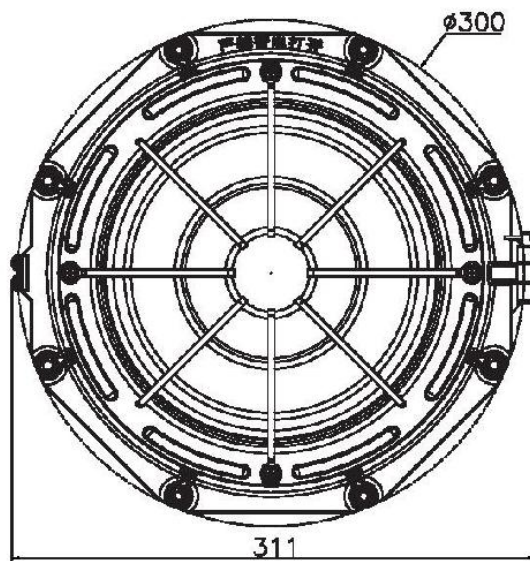


★ ACCESSORIES

VLITE



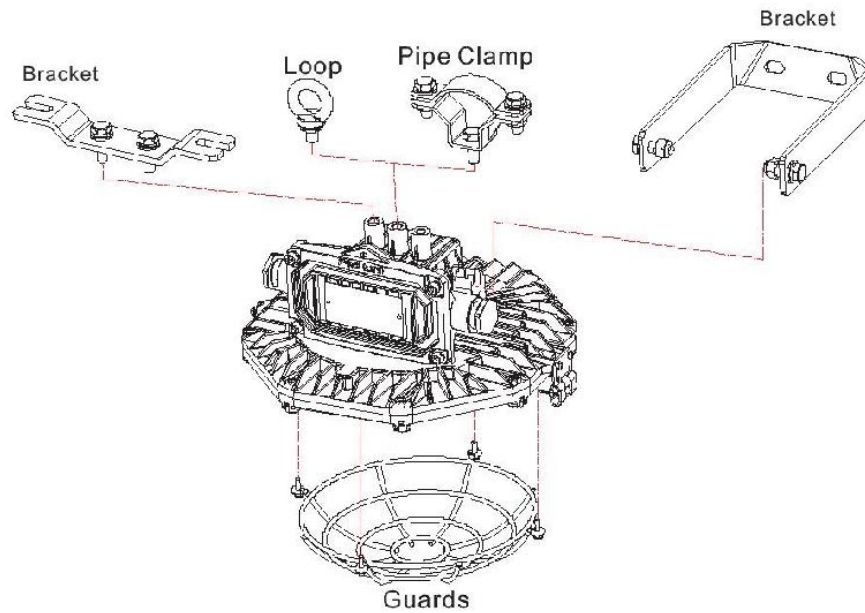
Size



★ Accessories


VLITE

Accessories



optional parts

Installation accessories	Picture	Material	Weight(Unit: Kgs)	QTY /Luminaire
Bracket		Q235	0.4Kg	1
Bracket		Q235	0.8Kg	1
Loop		45#	0.1Kg	1
Guards		Q235	0.3Kg	1
Pipe Clamp		SUS316	0.27	1

 Caution

1. To avoid the risk of fire, explosion, or electric shock, this product should be installed, inspected, and maintained by a qualified electrician only, in accordance with all applicable electrical codes.
2. To avoid electric shock:
Be certain electrical power is OFF before and during installation and maintenance.
Luminaire must be supplied by a wiring system with an equipment grounding conductor.
3. To avoid burning hands:
Make sure lens and housing are cool when performing maintenance.
4. To avoid explosion:
 - 1) Make sure the supply voltage is the same as the luminaire voltage.
 - 2) Do not install where the marked operating temperatures exceed the ignition temperature of the hazardous atmosphere.
 - 3) Do not operate in ambient temperatures above those indicated on the luminaire nameplate.
 - 4) Use proper supply wiring as specified on the luminaire nameplate. All gasket seals must be clean.
 - 5) Before opening, electrical power to the luminaire must be turned off. Keep tightly closed when in operation.

Package Check

1. Check the carton and all the components according to the packing list.
2. Make sure the product is in good conditions.

Transportation:

Please keep the product from heavy mechanical shock, vibration, strong sunshine, throwing, falling and stress during transport

Storage:

kept in dry, clean and well-ventilated, non-corrosive medium warehouse, the ambient temperature should be -40°C to 55°C.

After-sales service

Installation and maintenance must be according to the instruction.
If customer can not deal with it by themselves, please contact with sales department.



AL QUDRAH
L I G H T I N G

Emirates Tower, Office No. 104, P.O.Box : 24619, Sharjah U.A.E. Tel : (+971)6 525 6767 Fax : (+971)6 525 6363

Email : sales@alqudrahtrading.com, info@alqudrahtrading.com

www.alqudrahtrading.com